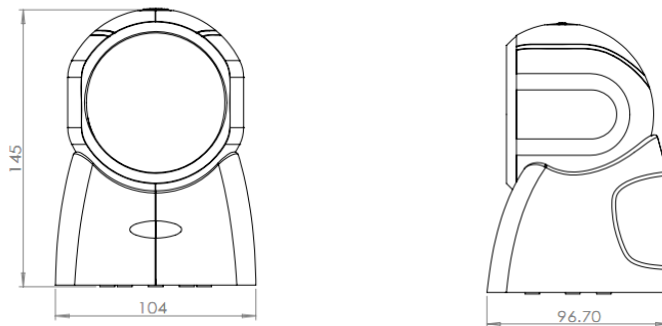


NT4010E



Platform Barcode Reader

Mobile and Computer Screen Scanning

Suitable for all verticals applications

Platform Barcode Reader

Physical Characteristics

Dimensions: 137.40mm x 99.80mm x 96.50mm

Weight: 262.5g

Voltage: 5V

Starting Current: 315mA

Stand-by Current: 235mA

Work Current: 320mA

Performance Characteristics

Image (Pixels): CMOS 640 pixels (H) x 480 pixels (V)

Light Source: (Aimer) Blue color LED; (Illumination) Red color LED

of View: 39°(H) X29°(V)

Roll / Pitch / Yaw: 360°, ±65°, ±65°

Print Contrast: 20% minimum reflective difference

Interfaces Supported: USB

Resolution: ≥4mil

解码能力/Symbology Decode Capability

/1-D: Codabar、Code 39、Code 32 Pharmaceutical (PARAF)、Interleaved 2 of 5、NEC 2 of 5、Code 93、Straight 2 of 5 Industrial、Straight 2 of 5 IATA、Matrix 2 of 5、Code 11、Code 128、GS1-128、UPC-A、UPC-E、EAN/JAN-8、EAN/JAN-13、MSI、GS1 DataBar Omnidirectional、GS1 DataBar Limited、GS1 DataBar Expanded、China Post(Hong Kong 2 of 5)、Korea Post.

/2-D: DOT Code, Codeblock A, Codeblock F, PDF417, Micro PDF417, GS1 Composite Codes, QR Code, Data Matrix, MaxiCode, Aztec, HANXIN.: Codabar, Code39, Interleaved2of5, NEC2of5, Code93, Code128, GS1-128, UPC-A, UPC-E0, EAN/JAN-13, EAN/JAN-8, GS1-DataBar, PDF417, QR, DM, Aztec

User Environment

Operating Temperature: -20°C to 60°C

Storage Temperature: -30°C to 70°C

Humidity: 5% to 95% relative humidity ,non-condensing

Shock Specifications: Designed to withstand 1.2m(5') drops

Ambient Light Immunity: 0-100,000 Lux.

Decode Ranges

Code39(5mil): 0-7cm

Code39(13mil): 0-17cm

QR(20mil): 0-11cm

QR 3*3): 1-30cm

Performance may be impacted by bar code quality and environmental conditions

